

.P
Mirror
finish

.TB
PVD
Titanium
black

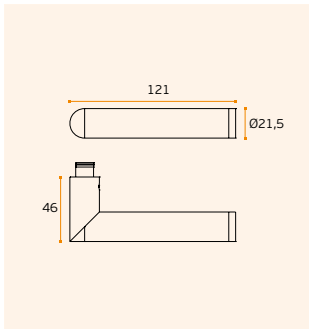
.TG
PVD
Titanium
gold

.TCO
PVD
Titanium
copper

.TCH
PVD
Titanium
chocolate



IN.00.413 LINK DIAMOND CUT
Puxador / Lever handle / Manilla
RC08M (Roseta standard / Standard rose)



MATERIAL: EN 1.4301 / AISI 304

ACABAMENTO / FINISH / ACABADO:
STANDARD: SATINADO / SATIN / SATIN

OPTIONAL: PVD TITANIUM COATED

.TB / .TG / .TCO / .TCH

SEMI SOLID ■

EN1906 3 7 - 0 0 3 0 B



IN.00.413.TB
Titanium black



IN.00.413.TG
Titanium gold



IN.00.413.TCO
Titanium copper



IN.00.413.TCH
Titanium chocolate

☞
Pag.064

☞
Pag.290

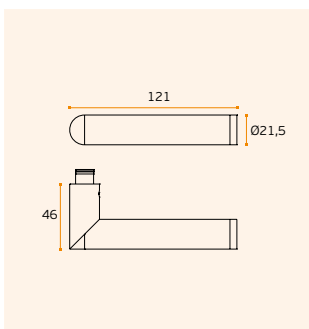
☞
Pag.200

☞
Pag.226

☞
Pag.236



IN.00.412.A LINK JET
Puxador / Lever handle / Manilla
RC08M (Roseta standard / Standard rose)



MATERIAL: EN 1.4301 / AISI 304

ACABAMENTO / FINISH / ACABADO:
STANDARD: SATINADO + JET FINISH
/ SATIN + JET FINISH / SATIN + JET
FINISH

OPTIONAL: PVD TITANIUM COATED

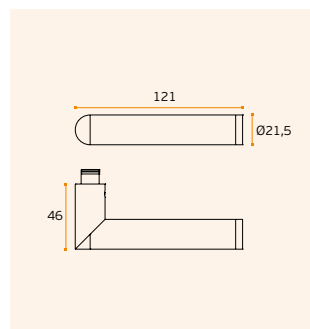
.TB / .TG / .TCO / .TCH

SEMI SOLID ■

EN1906 3 7 - 0 0 3 0 B



IN.00.413.A LINK DIAMOND JET
Puxador / Lever handle / Manilla
RC08M (Roseta standard / Standard rose)



MATERIAL: EN 1.4301 / AISI 304

ACABAMENTO / FINISH / ACABADO:
STANDARD: SATINADO + JET FINISH
/ SATIN + JET FINISH / SATIN + JET
FINISH

OPTIONAL: PVD TITANIUM COATED

.TB / .TG / .TCO / .TCH

SEMI SOLID ■

EN1906 3 7 - 0 0 3 0 B