

INOX + LINK SYSTEM

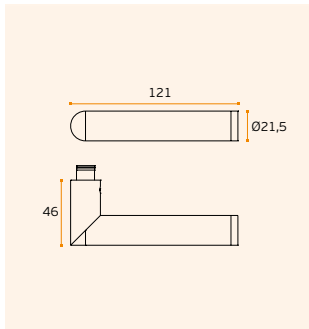
PUXADORES E ACESSÓRIOS /
LEVER HANDLES AND ACCESSORIES /
MANILLAS Y ACCESORIOS.



IN.00.401 LINK BIKE

Puxador / Lever handle / Manilla
RC08M (Roseta standard / Standard rose)
Design: Pedro Sousa

- .TB
- .TG
- .TCO
- .TCH



MATERIAL: EN 1.4301 / AISI 304 +
BLACK NATURAL LEATHER

ACABAMENTO / FINISH / ACABADO:
STANDARD: SATINADO / SATIN / SATIN

OPTIONAL: PVD TITANIUM COATED

.TB / .TG / .TCO / .TCH



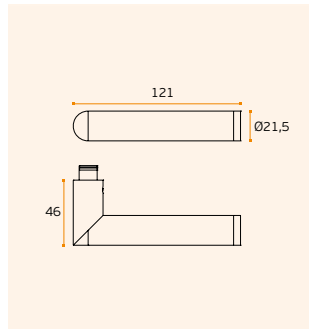
SOLID ■

EN1906 2 7 - 0 0 3 0 8

IN.00.402 LINK BIKE

Puxador / Lever handle / Manilla
RC08M (Roseta standard / Standard rose)
Design: Pedro Sousa

- .TB
- .TG
- .TCO
- .TCH



MATERIAL: EN 1.4301 / AISI 304 +
BROWN NATURAL LEATHER

ACABAMENTO / FINISH / ACABADO:
STANDARD: SATINADO / SATIN / SATIN

OPTIONAL: PVD TITANIUM COATED

.TB / .TG / .TCO / .TCH



SOLID ■

EN1906 2 7 - 0 0 3 0 8

.P
Mirror
finish

.TB
PVD
Titanium
black

.TG
PVD
Titanium
gold

.TCO
PVD
Titanium
copper

.TCH
PVD
Titanium
chocolate

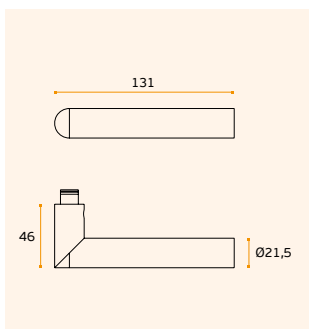
NEW



IN.00.411 LINK WENGÉ

Puxador / Lever handle / Manilla
RC08M (Roseta standard / Standard rose)

- .TB
- .TG
- .TCO
- .TCH



MATERIAL: EN 1.4301 / AISI 304 +
WOOD

ACABAMENTO / FINISH / ACABADO:
STANDARD: SATINADO / SATIN / SATIN

OPTIONAL: PVD TITANIUM COATED

.TB / .TG / .TCO / .TCH



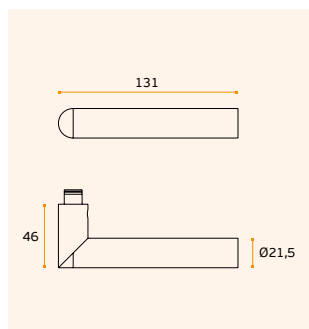
SOLID ■

EN1906 2 7 - 0 0 3 0 8

IN.00.411.C LINK OAK

Puxador / Lever handle / Manilla
RC08M (Roseta standard / Standard rose)

- .TB
- .TG
- .TCO
- .TCH



MATERIAL: EN 1.4301 / AISI 304 +
WOOD

ACABAMENTO / FINISH / ACABADO:
STANDARD: SATINADO / SATIN / SATIN

OPTIONAL: PVD TITANIUM COATED

.TB / .TG / .TCO / .TCH



SOLID ■

EN1906 2 7 - 0 0 3 0 8

Pag.064

Pag.290

Pag.200

Pag.226

Pag.236