

.P
Mirror
finish

.TB
PVD
Titanium
black

.TG
PVD
Titanium
gold

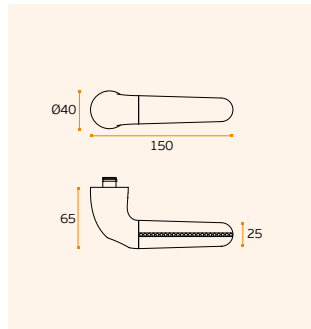
.TCO
PVD
Titanium
copper

.TCH
PVD
Titanium
chocolate



IN.00.420 | IN.00.420.P DRIVE

Puxador / Lever handle / Manilla
RC08M (Roseta standard / Standard rose)
Design: Christian Magalhães



MATERIAL: EN 1.4301 / AISI 304 +
NATURAL BLACK LEATHER

ACABAMENTO / FINISH / ACABADO:
STANDARD: SATINADO + POLIDO /
SATIN + POLISHED / SATIN + PULIDO

OPTIONAL: PVD TITANIUM COATED

.TB / .TG / .TCO / .TCH



NATURAL
LEATHER

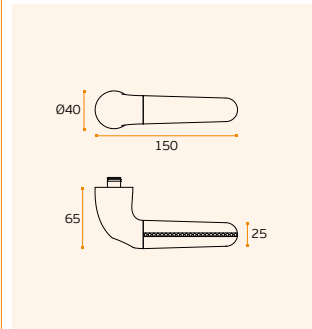
SOLID ■

EN1906 3 7 - 0 0 3 0 B



IN.00.421 | IN.00.421.P DRIVE

Puxador / Lever handle / Manilla
RC08M (Roseta standard / Standard rose)
Design: Christian Magalhães



MATERIAL: EN 1.4301 / AISI 304 +
NATURAL BROWN LEATHER

ACABAMENTO / FINISH / ACABADO:
STANDARD: SATINADO + POLIDO /
SATIN + POLISHED / SATIN + PULIDO

OPTIONAL: PVD TITANIUM COATED

.TB / .TG / .TCO / .TCH



NATURAL
LEATHER

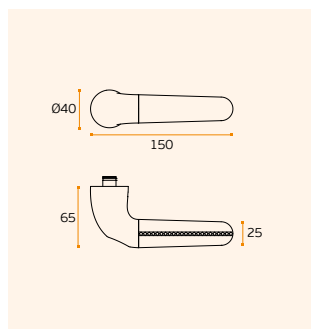
SOLID ■

EN1906 3 7 - 0 0 3 0 B



IN.00.425 | IN.00.425.P DRIVE

Puxador / Lever handle / Manilla
RC08M (Roseta standard / Standard rose)
Design: Christian Magalhães



MATERIAL: EN 1.4301 / AISI 304 +
NATURAL BLACK LEATHER

ACABAMENTO / FINISH / ACABADO:
STANDARD: SATINADO + POLIDO /
SATIN + POLISHED / SATIN + PULIDO

OPTIONAL: PVD TITANIUM COATED

.TB / .TG / .TCO / .TCH



NATURAL
LEATHER

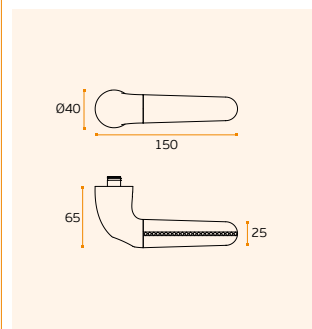
SOLID ■

EN1906 3 7 - 0 0 3 0 B



IN.00.426 | IN.00.426.P DRIVE

Puxador / Lever handle / Manilla
RC08M (Roseta standard / Standard rose)
Design: Christian Magalhães



MATERIAL: EN 1.4301 / AISI 304 +
NATURAL CAMEL LEATHER

ACABAMENTO / FINISH / ACABADO:
STANDARD: SATINADO + POLIDO /
SATIN + POLISHED / SATIN + PULIDO

OPTIONAL: PVD TITANIUM COATED

.TB / .TG / .TCO / .TCH



NATURAL
LEATHER

SOLID ■

EN1906 3 7 - 0 0 3 0 B



Pag.064



Pag.290



Pag.200



Pag.226



Pag.236