

NEW

.P  
Mirror  
finish

.TB  
PVD  
Titanium  
black

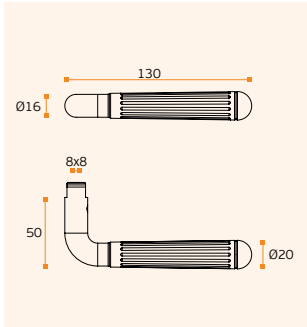
.TG  
PVD  
Titanium  
gold

.TCO  
PVD  
Titanium  
copper

.TCH  
PVD  
Titanium  
chocolate



**IN.00.019.LN PARIS**  
Puxador / Lever handle / Manilla.  
RB08M (Roseta standard / Standard rose)



MATERIAL: EN 1.4301 / AISI 304

ACABAMENTO / FINISH / ACABADO:  
STANDARD: SATINADO / SATIN / SATIN

OPTIONAL: PVD TITANIUM COATED

.TB / .TG / .TCO / .TCH

SOLID ■

EN1906 2 7 - 0 0 3 0 A



IN.00.019.LN.TB  
Titanium black



IN.00.019.LN.TG  
Titanium gold



IN.00.019.LN.TCO  
Titanium copper



IN.00.019.LN.TCH  
Titanium chocolate

NEW

☰  
Pag.064

☷  
Pag.290

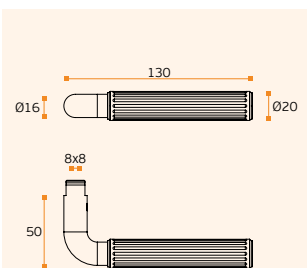
☶  
Pag.200

☹  
Pag.226

☰  
Pag.236



**IN.00.017 NEW YORK**  
Puxador / Lever handle / Manilla.  
RB08M (Roseta standard / Standard rose)



MATERIAL: EN 1.4301 / AISI 304

ACABAMENTO / FINISH / ACABADO:  
STANDARD: SATINADO / SATIN / SATIN

OPTIONAL: PVD TITANIUM COATED

.TB / .TG / .TCO / .TCH

SOLID ■

EN1906 2 7 - 0 0 3 0 A



IN.00.017.TB  
Titanium black



IN.00.017.TG  
Titanium gold



IN.00.017.TCO  
Titanium copper



IN.00.017.TCH  
Titanium chocolate