

INOX + LINK SYSTEM

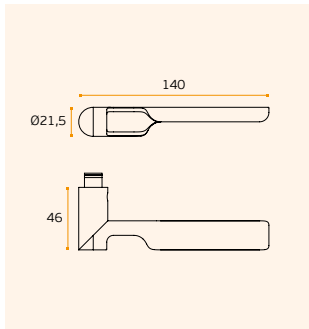
**PUXADORES E ACESSÓRIOS /
LEVER HANDLES AND ACCESSORIES /
MANILLAS Y ACCESORIOS.**



IN.00.428 LINK WORKSHOP

**Puxador / Lever handle / Manilla.
RC08M (Roseta standard / Standard rose)**

- .TB
- .TG
- .TCO
- .TCH



MATERIAL: EN 1.4301 / AISI 304
ACABAMENTO / FINISH / ACABADO:
STANDARD: SATINADO + RAW / SATIN
+ RAW / SATIN + RAW
OPTIONAL: PVD TITANIUM COATED
.TB / .TG / .TCO / .TCH

SOLID ■

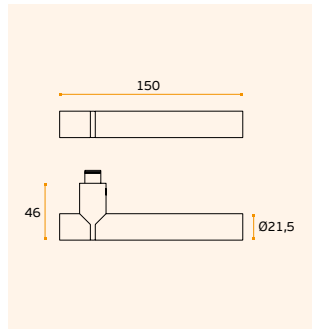
EN1906 2 7 - 0 0 3 0 B



IN.00.418 WENGÉ

**Puxador / Lever handle / Manilla
RC08M (Roseta standard / Standard rose)
Design: Pedro Queirós**

- .TB
- .TG
- .TCO
- .TCH



MATERIAL: EN 1.4301 / AISI 304 +
MADEIRA / WOOD / MADERA
ACABAMENTO / FINISH / ACABADO:
STANDARD: SATINADO / SATIN / SATIN
OPTIONAL: PVD TITANIUM COATED
.TB / .TG / .TCO / .TCH



SOLID ■

EN1906 2 7 - 0 0 3 0 B

.P
Mirror
finish

.TB
PVD
Titanium
black

.TG
PVD
Titanium
gold

.TCO
PVD
Titanium
copper

.TCH
PVD
Titanium
chocolate



IN.00.428 LINK WORKSHOP


Pag.064


Pag.290


Pag.200


Pag.226


Pag.236